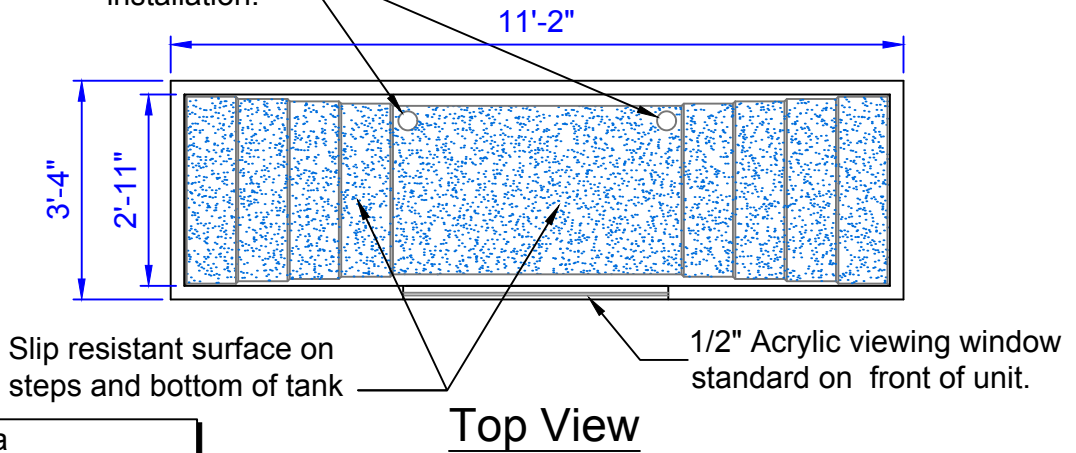


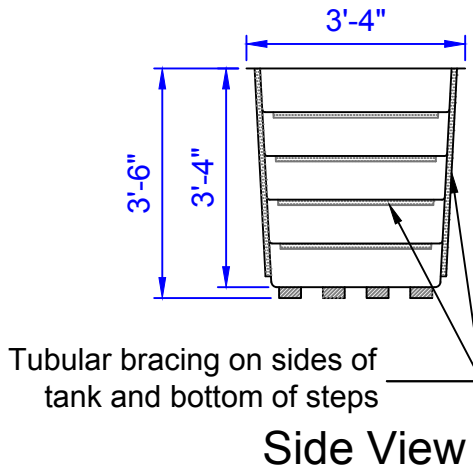
Two recessed drain locations molded into baptistery for versatile but simple installation.



Baptistery Data
 Overall Width = 3'-4"
 Overall Length = 11'-2"
 Overall Height = 3'-6"
 Overall Depth = 3'-4"
 Unit Weight = 300 lbs.
 Water Capacity = 425 Gallons
 Recommended Heater:
 PBH 5500 Heater System
 Optional Heater:
 PBH 11000 Heater System
Available Colors

- Blue
- White
- Aqua
- Beige

Note: Color samples available at customers request



33 Lewittes Rd.
 Taylorsville, NC 28681
 Phone: 828-632-8883
 Fax: 828-632-5585
www.piedmontcomposites.com

BAPTISTERY

Model : **2-DE-WINDOW**

Scale:
SCALE
 Drawn by:
 TJD/MDL/JEM
 Created On
 8/16/02
 Updated On
 03/27/19