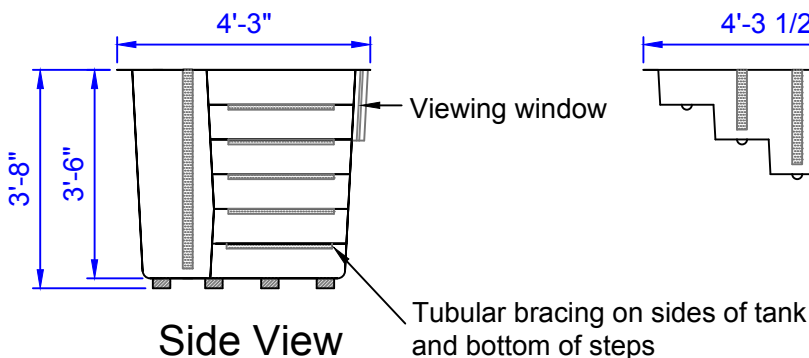


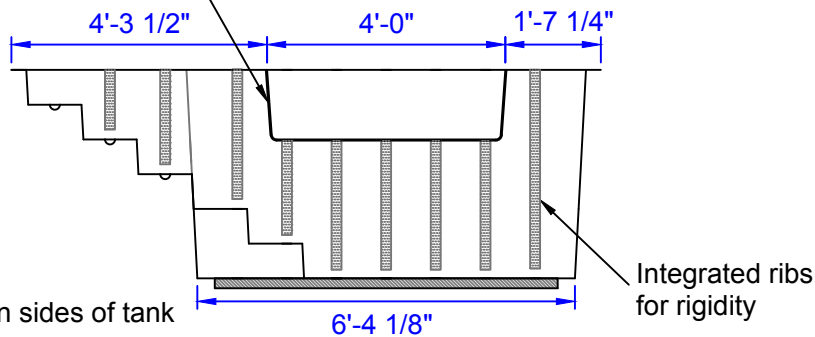
**Rear View**

(4) 2x4's Molder into bottom of unit

Acrylic viewing window installed by PCT

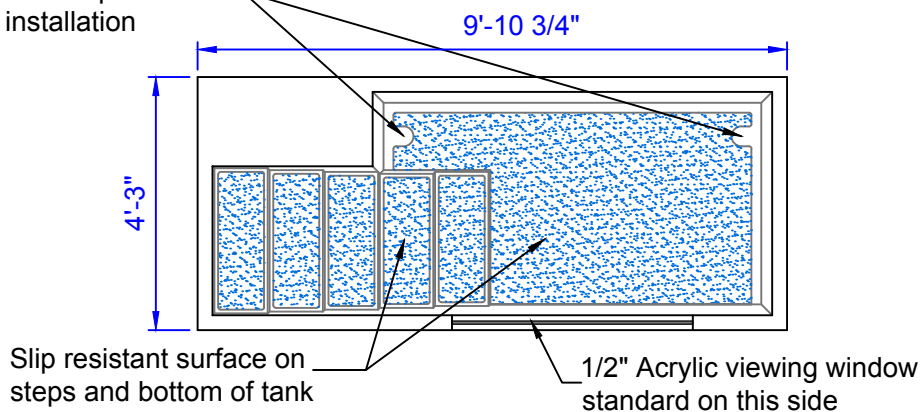


**Side View**



**Front View**


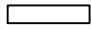


Two recessed drain locations molded into baptistery for versatile but simple installation



**Top View**

**Baptistery Data**  
 Overall Width = 4'-3"  
 Overall Length = 9'-10 3/4"  
 Overall Height = 3'-8"  
 Overall Depth = 3'-6"  
 Unit Weight = 325 lbs.  
 Water Capacity = 525 Gallons  
 Recommended Heater:  
 PBH 11000 Heater System  
 Optional Heater:  
 PBH 5500 Heater Systems

**Available Colors**

Blue	
White	
Aqua	
Beige	

Note: Color samples available at customers request



33 Lewittes Rd.  
 Taylorsville, NC 28681  
 Phone: 828-632-8883  
 Fax: 828-632-5585  
 www.Piedmontcomposites.com

**BAPTISTERY**  
 Model : **6-LE-WINDOW**

Scale:  
**SCALE**  
 Drawn by:  
**TJD/JEM**  
 Created On  
**8/16/02**  
 Updated On  
**03/27/19**